

Data Sheet

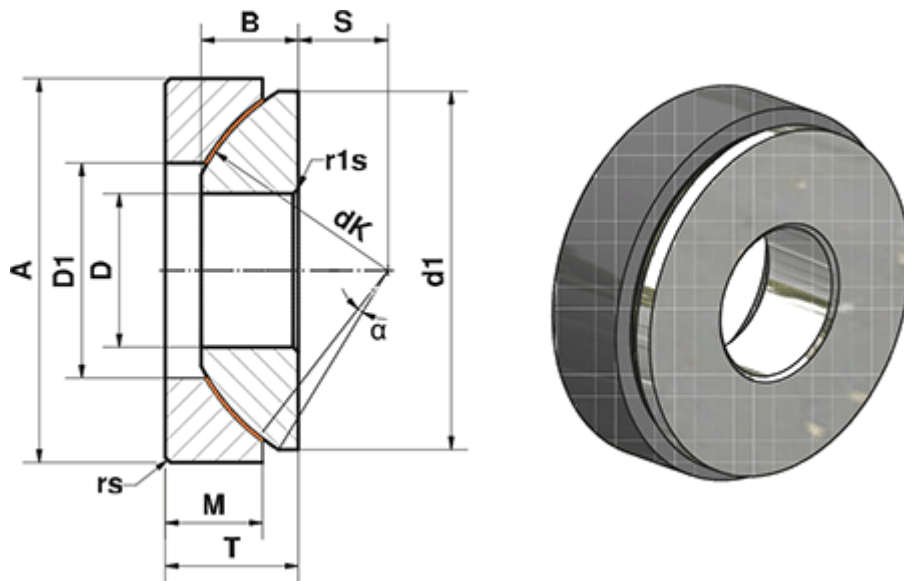


Article number: 03450100

Description: Fluro Heavy Duty Spherical Plain Bearing GE 100 AWE
Hole \varnothing 100

Note: 100

Measures



A	= 210	M	= 46
a (degrees)	= 4	rs, r1s min	= 1.5
B	= 51	S	= 45
D	= 100	Static load C0 (kN)	= 7018
D1	= 134	T	= 59
d1 min	= 198	Weight (g)	= 11000
dK	= 222		
Dynamic load C (kN)	= 4210		